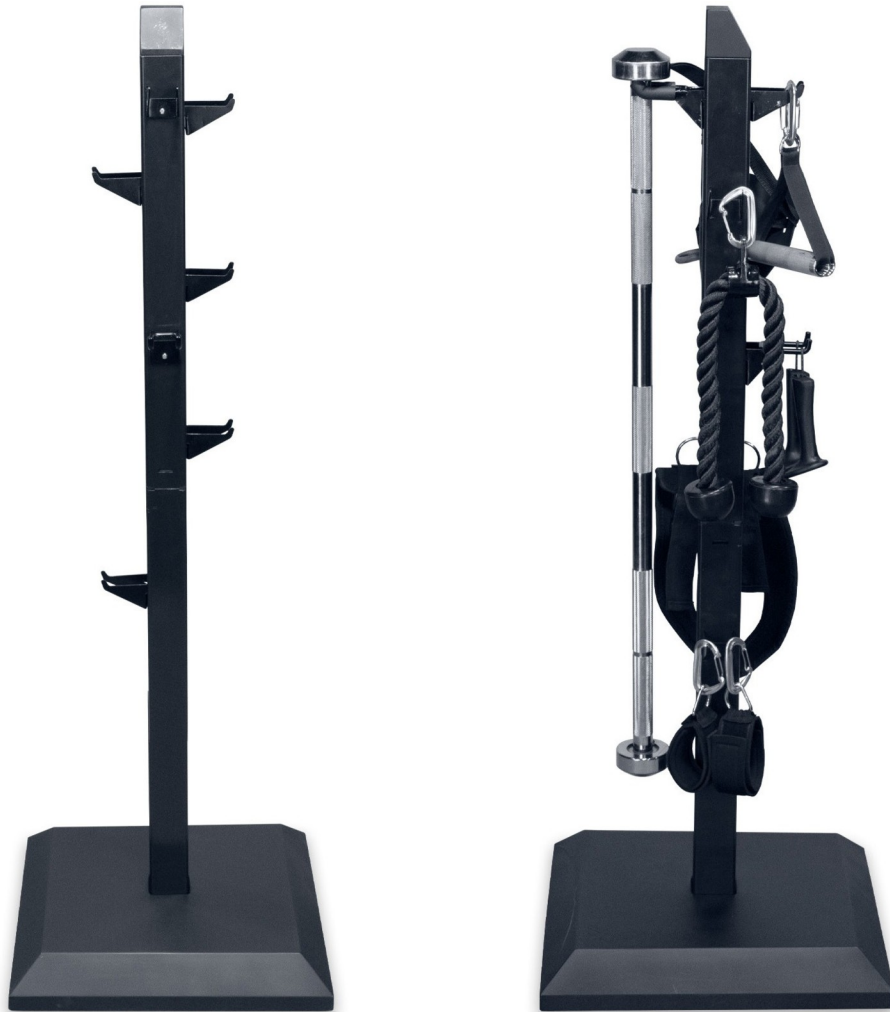


XS1 ACCESSORY TREE ASSEMBLY GUIDE



Accessories not included.

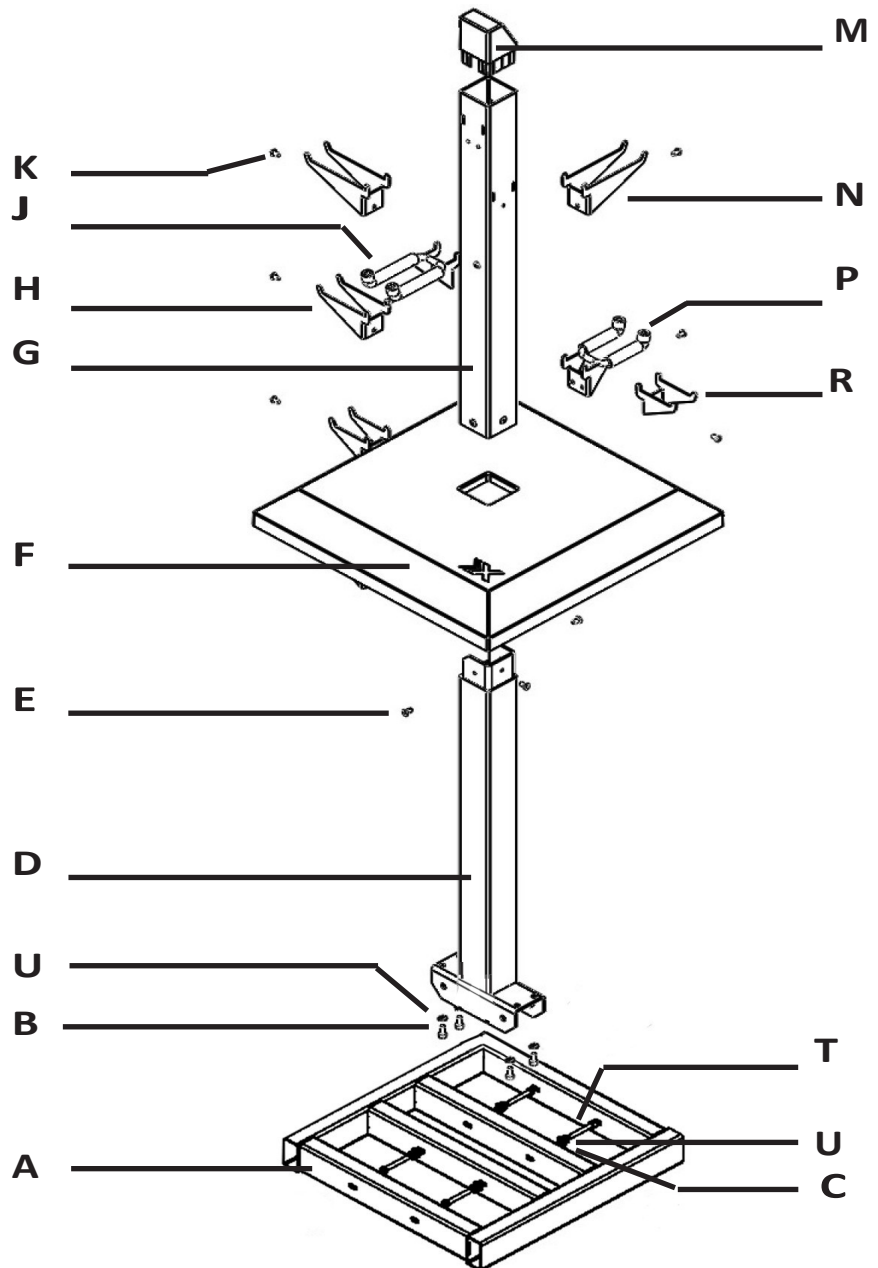
The XS1 Accessory Tree is designed to store and organize OxeFit XS1 accessories. Place the accessory tree parts on a soft surface to prevent damage to flooring during assembly. If you require replacement parts or assistance to assemble your accessory tree, contact support@oxefit.com.

SAFETY RULES

Do not allow children or minors to play on or around this equipment. Periodically inspect all nuts and bolts and tighten when needed. Keep the XS1 Accessory Tree at least 5 feet away from the XS1 and other objects to prevent damage if the accessory tree tilts or falls over. If any wear or damage is detected that elicits a cause for concern, contact support@oxefit.com.

ASSEMBLY PARTS

- A. Baseboard (1x)
- B. M6x14 screw (4x)
- C. M6 flat washer (4x)
- D. Bottom post (1x)
- E. M5x12 screw (3x)
- F. Baseboard cover (1x)
- G. Top post (1x)
- H. 3" accessory hook (1x)
- J. 4" bar hook (1x)
- K. M5x10 screw (10x)
- M. Top cap (1x)
- N. 4" accessory hook (2x)
- P. 3" bar hook (1x)
- R. 2" accessory hook (3x)
- T. M6x45 screw (4x)
- U. M6 spring washer (8x)
- W. 5mm wrench (not shown)
- Y. 3mm wrench (not shown)



MEASUREMENTS

1' 7" x 1' 7" x 4' 4"

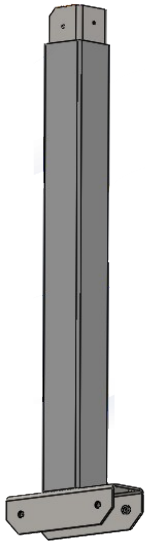
WEIGHT

29 LBS

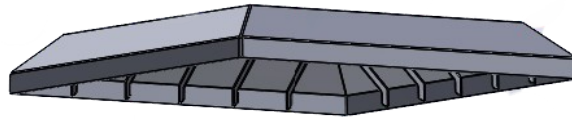
PARTS & TOOLS



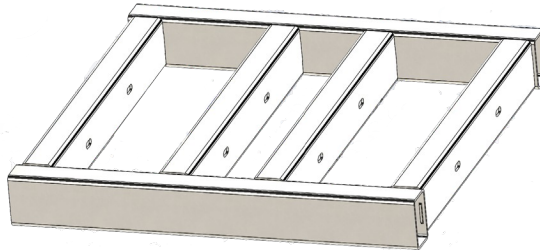
G. TOP POST
(Quantity: 1)



D. BOTTOM POST
(Quantity: 1)



F. BASEBOARD COVER (Quantity: 1)



A. BASEBOARD (Quantity: 1)



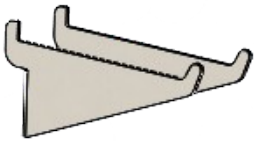
M. TOP CAP
(Quantity: 1)



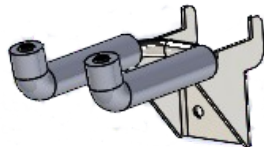
W. 5mm WRENCH
(Quantity: 1)



Y. 3mm WRENCH
(Quantity: 1)



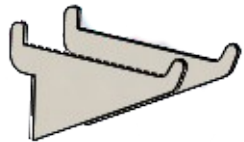
N. 4" ACCESSORY HOOK (Quantity: 2)



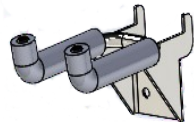
J. 4" BAR HOOK
(Quantity: 1)



K. M5x10 SCREW
(Quantity: 10)



H. 3" ACCESSORY HOOK (Quantity: 1)



P. 3" BAR HOOK
(Quantity: 1)



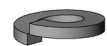
B. M6x14 SCREW
(Quantity: 4)



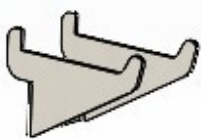
C. M6 FLAT WASHER
(Quantity: 4)



T. M6x45 SCREW
(Quantity: 4)



U. M6 SPRING WASHER
(Quantity: 8)

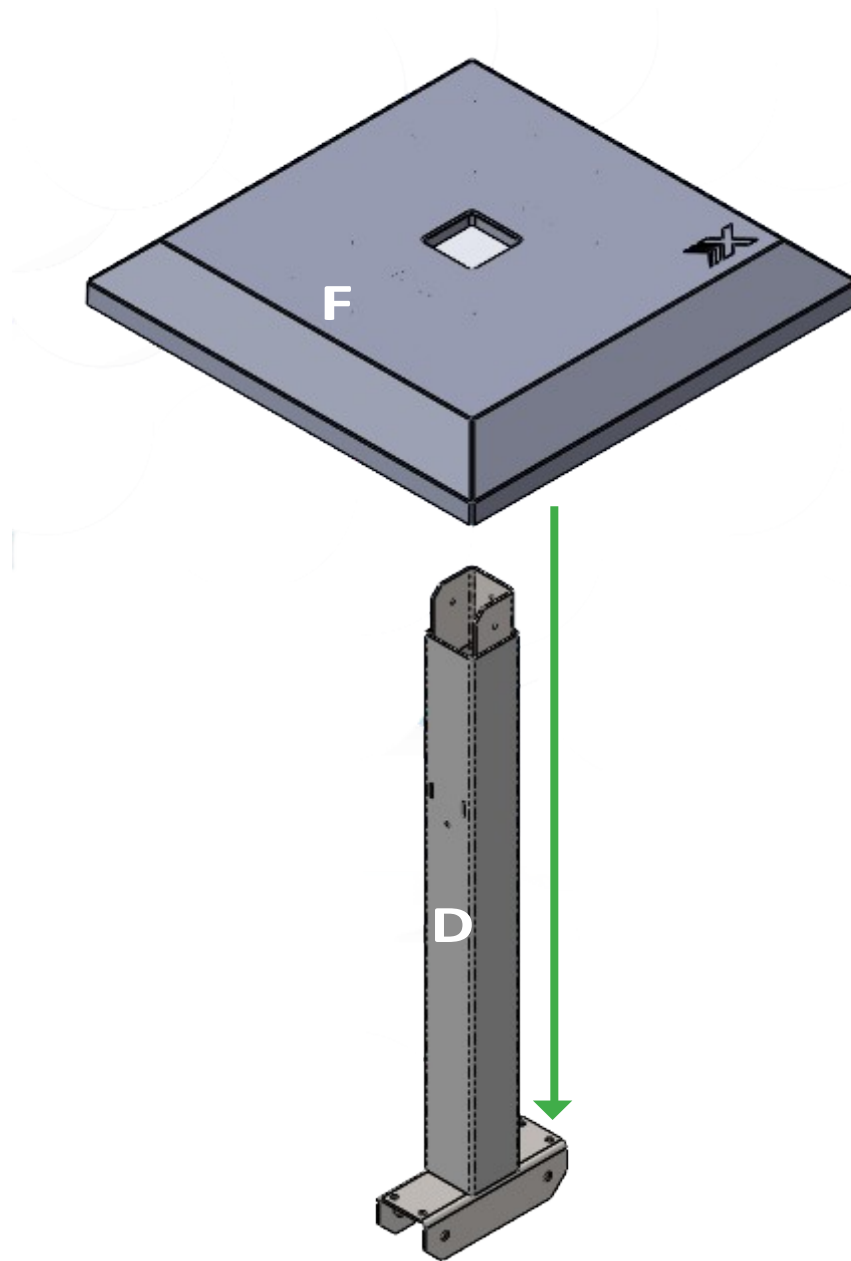


R. 2" ACCESSORY HOOK (Quantity: 3)

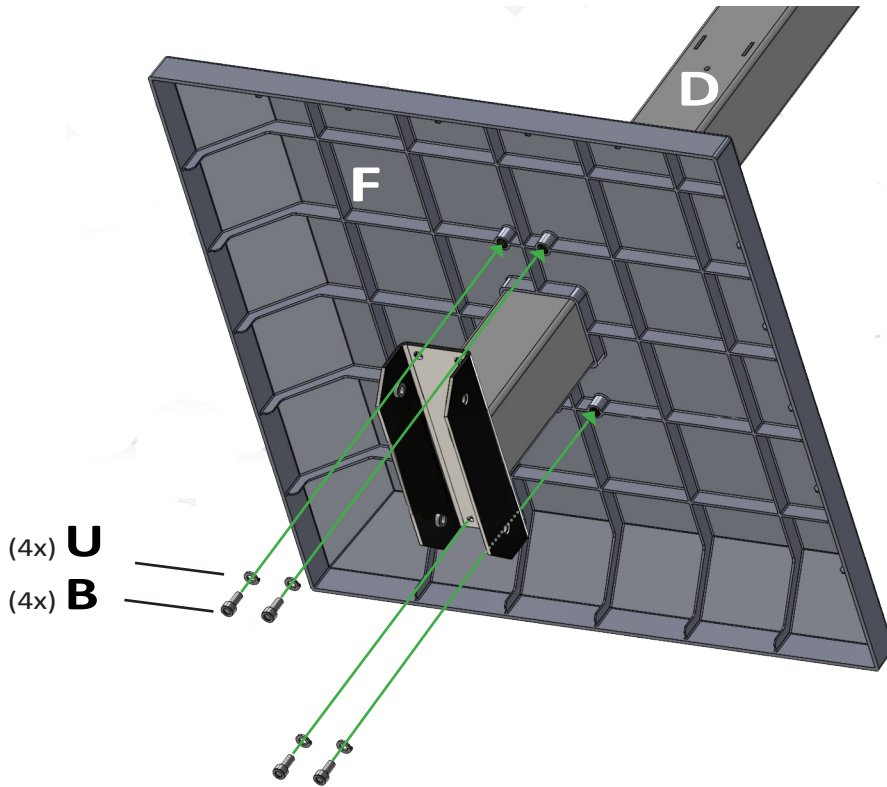


E. M5x12 SCREW
(Quantity: 3)

1



2

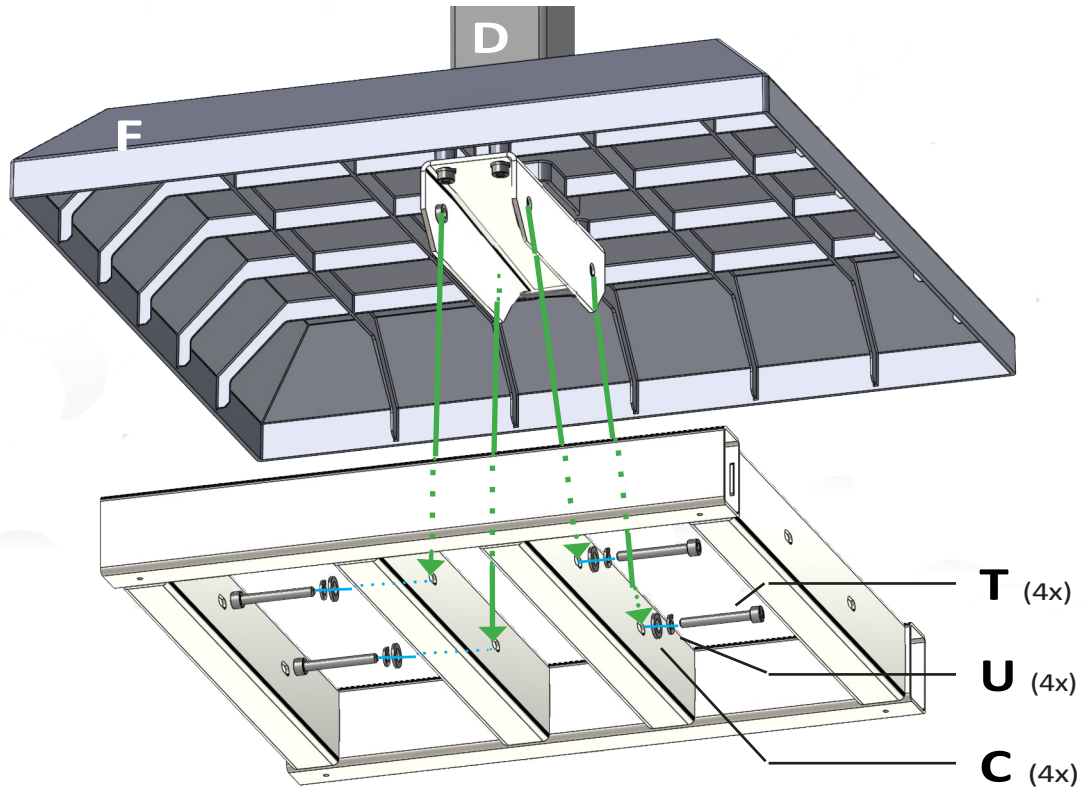


TOOL NEEDED

W. 5mm WRENCH
(turn clockwise to tighten)



3

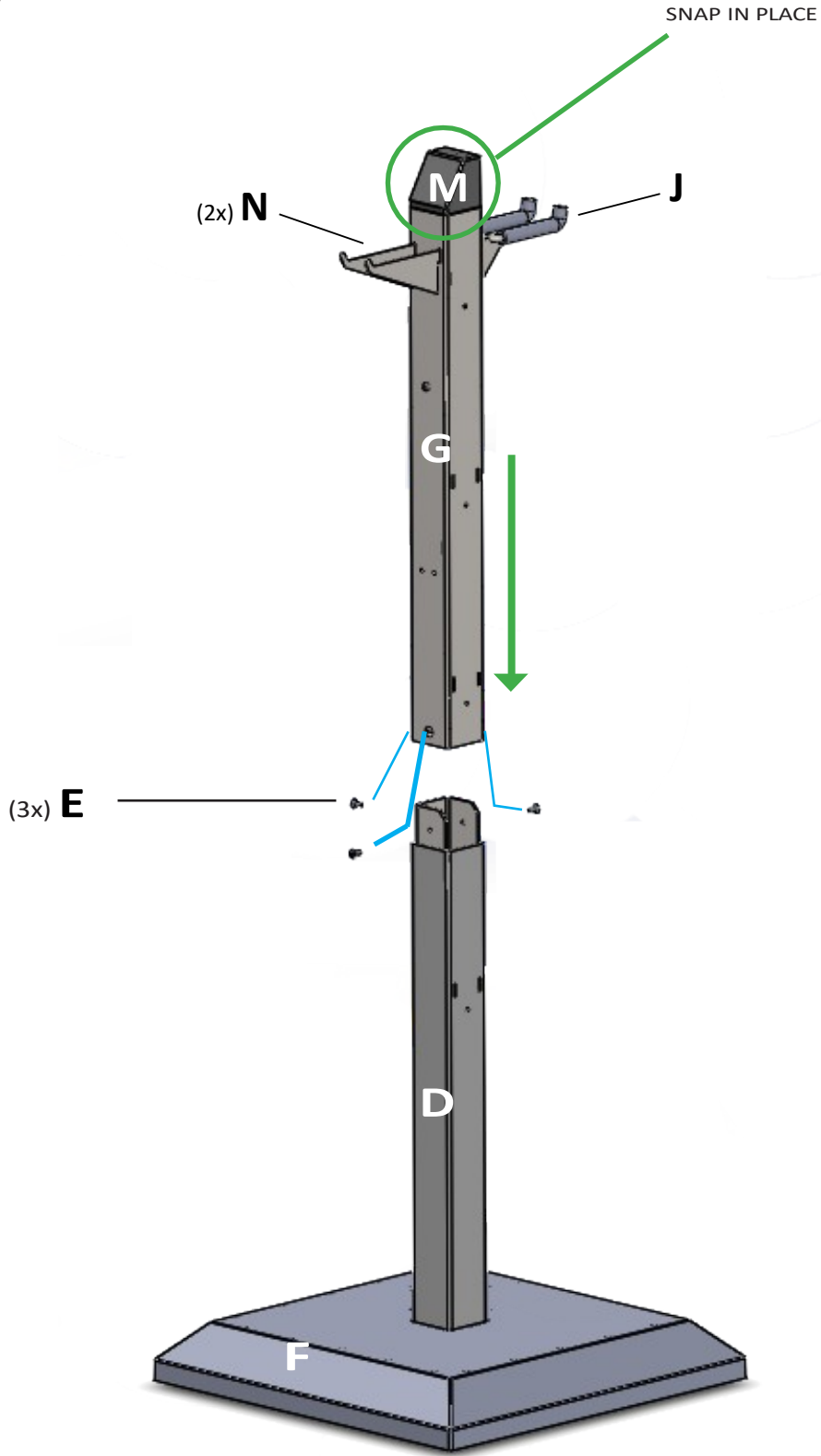


TOOL NEEDED

W. 5mm WRENCH
(turn clockwise to tighten)



4

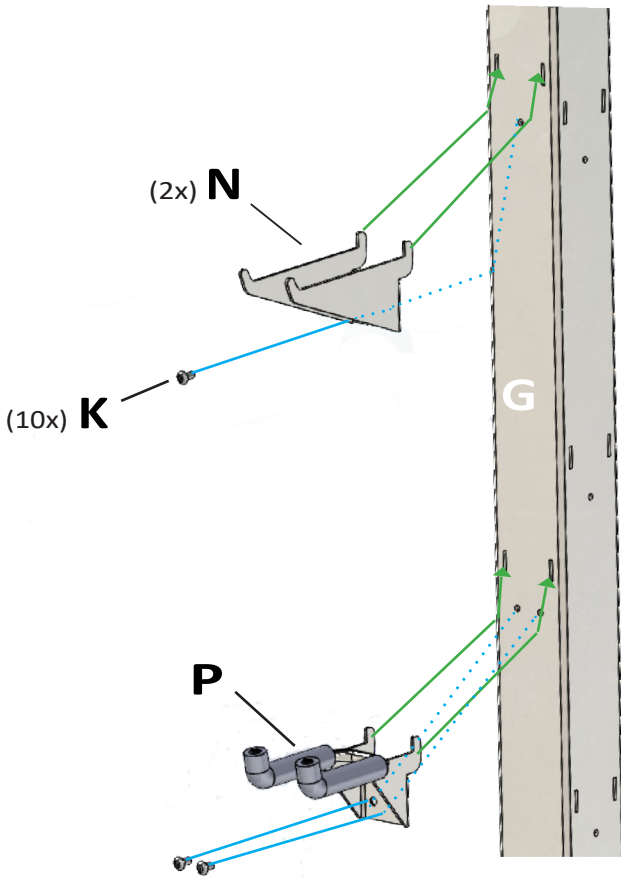


TOOL NEEDED

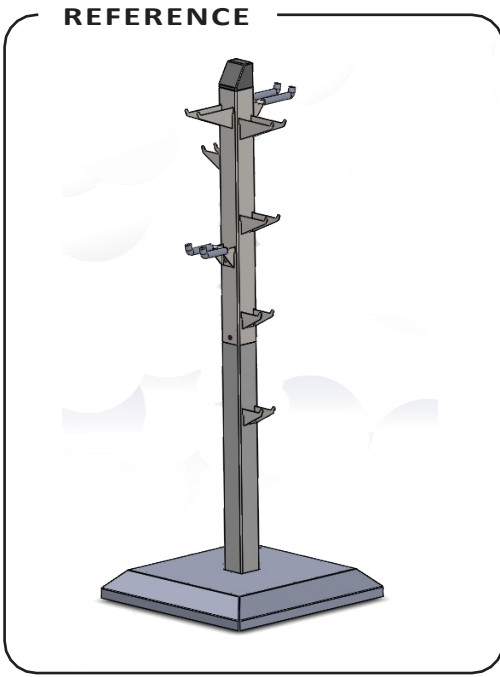
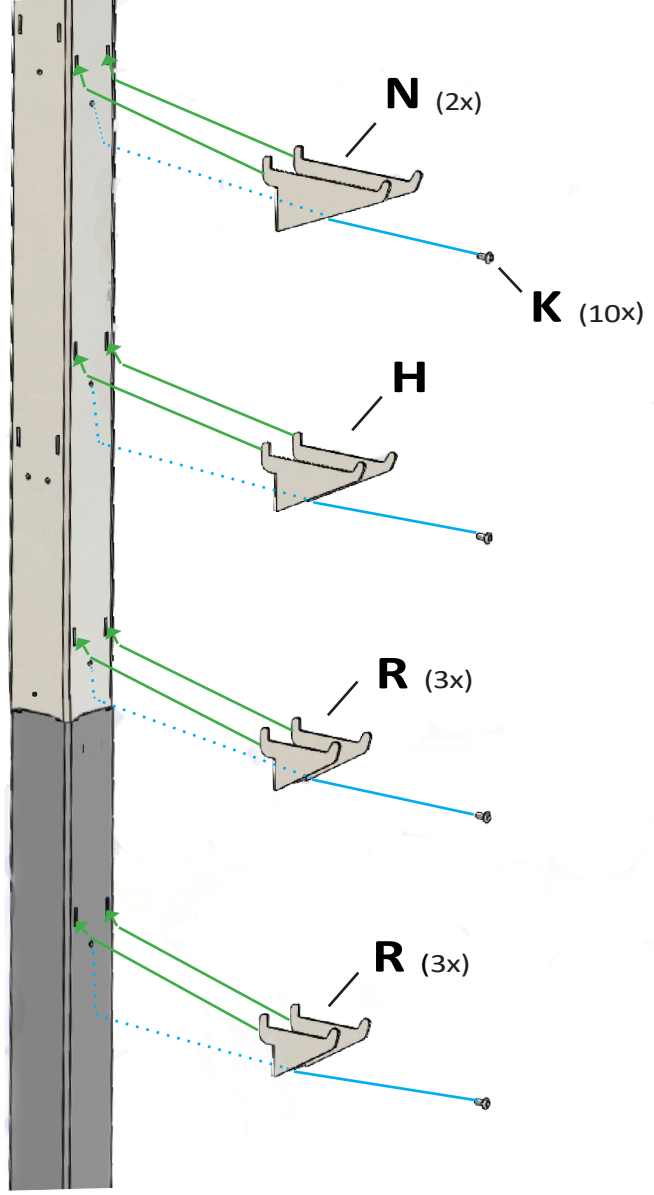
Y. 3mm WRENCH
(turn clockwise to tighten)



5a



5b



TOOL NEEDED

Y. 3mm WRENCH
(turn clockwise to tighten)

An icon of a Y-shaped 3mm wrench, used for tightening the screws shown in the diagrams.